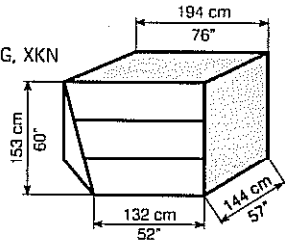


UNIT LOAD DEVICES (ULD) DETAILED INFO

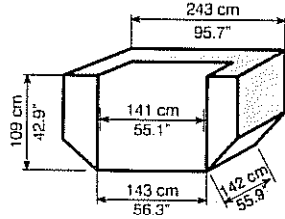
LD-3 container

Interchangeability: 330 / 340 / truck
 Usable volume: m³ 4,2*
 ft³ 148*
 Maximum net weight: kg 1500
 lbs 3307
 IATA code: AKE, XKE, XKG, XKN
 IATA rate class: B



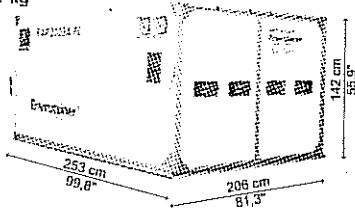
LD-45 container

Interchangeability: 319 / 320 / 321 / truck
 Usable volume: m³ 3,5
 ft³ 124
 Maximum net weight: kg 1052 / 1009
 lbs 2323 / 2224
 IATA code: AKH / DKH
 IATA rate class: not available



LD-9 Envirotainer cooltainer

Interchangeability: 330 / 340 / truck
 Usable volume: m³ 8,2
 ft³ 289,5
 Maximum net weight: kg 5591
 lbs 12304
 IATA code: RAP
 IATA rate class: 5
 Dry ice capacity: 300 kg



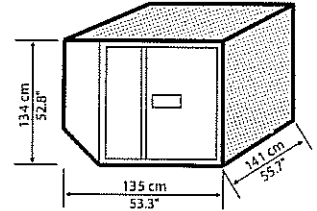
* XKN; 4,0 m³ / 141 ft³

More information at SWISSWORLDCARGO.COM

UNIT LOAD DEVICES (ULD) DETAILED INFO

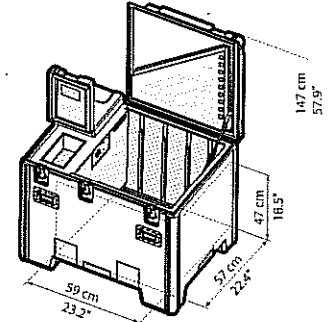
LD-3 Envirotainer cooltainer

Interchangeability: 330 / 340 / truck
 Usable volume: m³ 3,0
 ft³ 106
 Maximum net weight: kg 1321
 lbs 2907
 IATA code: RKN
 IATA rate class: B
 Dry ice capacity: 180 kg



CLD Envirotainer cooltainer

Interchangeability: 330 / 340 / truck
 Usable volume: m³ 0,158
 ft³ 5,57
 Maximum net weight: kg 328
 lbs 723
 IATA code: JYP
 IATA rate class: not available
 Dry ice capacity: 35 kg



More information at SWISSWORLDCARGO.COM